



HAVELLS

The hottest innovation in Water Heaters





about us

Havells India Limited is a leading Fast Moving Electrical Goods (FMEG) Company and a major power distribution equipment manufacturer with a strong pan India presence. Havells enjoys enviable market dominance across a wide spectrum of products, including Industrial & Domestic Circuit Protection Devices, Cables & Wires, Motors, Fans, Modular Switches, Home Appliances, Electric Water Heaters, Power Capacitors, CFL, Luminaires for Domestic, Commercial and Industrial Applications.

'Today, Havells owns some of the most prestigious brands like Crabtree and Standard.' Its network constitutes of 4000 professionals, over 6000 dealers and 40 branches across the country. Its eleven state-of-the-art manufacturing plants in India located at Haridwar, Baddi, Sahibabad, Faridabad, Alwar and Neemrana are manufacturing globally acclaimed products, synonymous with excellence and precision in the electrical industry.

The company pioneered the concept of exclusive brand showroom in the electrical industry with 'Havells Galaxy'. Today over 386 Havells Galaxies across the country are helping customers, both domestic and commercial, to choose from a wide variety of products for different applications. Havells became the first FMEG Company to offer door step service via its initiative 'Havells Connect'. Thanks to the quality of products and quicker service, it has minimum customer complaints and highest customer satisfaction.



India's most modern and integrated manufacturing plant for water heaters:

The water heater plant is the crown jewel in our jewellery box. Located in Neemrana, we pride ourselves on having India's most modern and integrated water heater manufacturing plant with a capacity of producing over 5 lacs water heaters annually. Housing a state-of-the-art testing laboratory and also equipped with technology like an automatic MIG welding, dry powder enamel coating, automatic PUF filling and outer body-rolling for metal range. It also has a computerized online safety testing process that makes sure every Havells water heater is safe and secure for your use.

Innovation at its best

Today, Havells water heaters meet diverse individual needs across the country. Havells pioneered in introducing state-of-the-art, "Adonia" water heater with first ever color changing LED indicating change in temperature. It is all set to become India's revolutionary energy efficient water heater.



Press Shop

- Automatic Hydraulic Presses for deep drawing of Steel sheets for making end covers of Tanks
- Automatic Robots for loading and unloading of press machines
- Automatic System ensures high productivity and consistency in parts



Welding Shop

- Best technologies from Japan ensure fool proof welding joints for years of trouble free service
- Welding of end caps and shells in an automatic MIG / Plasma welding line
- Each welded tank is tested for leakage at high pressure



Automatic outer body rolling

- Most advanced outer body rolling with seamless welding system
- CNC controlled automatic punching machine
- Special purpose necking machine for precise bending
- State-of-the-art fully integrated pre-treatment and paint system



Feroglas technology

- Fully automatic shot blasting machine to remove impurities and oxides
- Swiss made fully automatic dry Feroglas coating machine
- Baking of coated tanks in PLC controlled, gas fired furnace for fusion of glass and 'steel, ensuring longer life.'



Spread the warmth of your love

With Havells Storage & Instantaneous electric water heaters



HAVELLS

Why Havells Water Heaters?

Water heaters that understand you.

At Havells we believe in creating technology that makes a difference and our products aim at making your life easier and more comfortable. This philosophy is what makes our products the best-in-class compared to the many others in the market.

You should not be made to choose between convenience and performance. This is why our water heaters come equipped with temperature sensitive color changing LED indicators and an 'Incoloy 800' glass coated heating element which ensures superior performance and convenience to you.

These innovative features, which are designed keeping you in mind, ensure that Havells water heaters never come up short. Equipped with India's first integrated shock resistant plug that cuts power in case of any current leakage along with superior Feroglas technology, that protects the inner tank of your water heater from corrosion and rust. We believe our products are the right choice for all your needs.



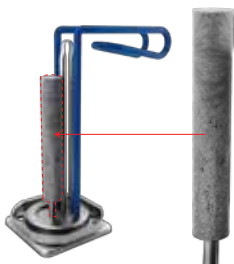
Feroglas coating inner container

- A) Made of ultra thick super cold rolled steel plates
- B) Provides superior corrosion resistance and 'anti-rust property' resulting in longer life compared to standard inner container designs
- C) Tough enough to withstand high pressure rating up to 8 bars



Incoloy glass coated heating element

Incoloy glass coated heating element offers superior heating performance with its excellent resistance to both oxidation and carbonization at high temperature setting. Also resists corrosion against extreme and hard water conditions thus extending life span of heating elements with minimum energy loss.



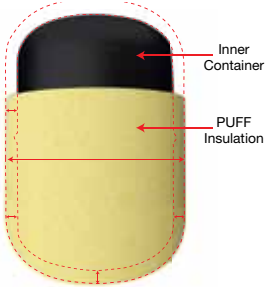
Anode rod protects tank from corrosion

The tank has an anode rod with a stainless steel core that is designed to protect the tank from corrosive elements. The system uses special catalyst action to fight the corrosive elements which in turn prolongs the life of the water heater.



Shock resistant plug (Available in select models)

India's first integrated shock resistant plug is designed to prevent injury to humans due to electric shocks, the plug will cut off the power immediately in case of any current leakage



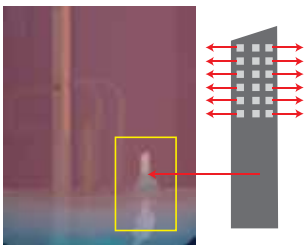
High density PUF insulation

CFC free thicker PUF insulation offers complete protection against radiant heat loss, reduces energy consumption and provides higher energy efficiency



0.8 MPa high working pressure

Suitable for high rise buildings and pressure pump applications. The multi function valve prevents pressure to increase beyond 8 Bar



Whirlflow technology

It avoids direct contact between cold and hot water flow for a faster heating and optimized energy saving effecting 20% more hot water output



Multi function safety valve

Protects tank from internal & external pressure build up.



Water Resistance and Splash Proof (IPX-4)

Ensures high level of protection for electrical parts from water splashing

Water Heater Selection Guide



Kitchen

1 to 10 L
Neo +, Instanio, Opal EC
Puro Plus



Bathroom

15 L & Above
(A) Space is no constraint
Adonia, Quatro, Puro Plus, Senzo
& Monza EC
(B) Space is constraint
Monza Slim, Fino H



Shower

35 L & Above
Monza Turbo & Monza EC

Multi outlet Applications

50 L & Above (Senzo)



Wash Basin



Bathroom



Kitchen Sink



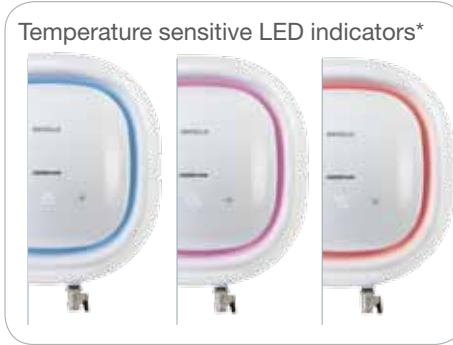


Presenting the
stunning & widest range
of water heaters from Havells



Adonia Digital

Capacity : 15 L & 25 L
Color : White



Features:



Temp. sensitive LED indicators



Feather touch control panel



Shock resistant plug



Feroglas Technology



PUF insulation



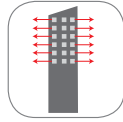
Incoloy glass coated heating element



Anode rod



0.8 MPa high working pressure



Whirflow technology



Multi functional safety valve

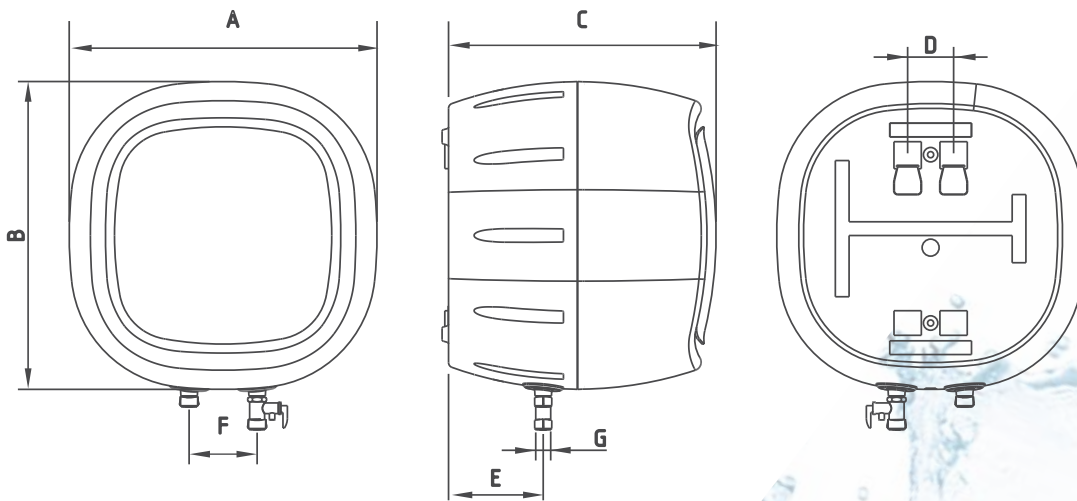


IPX-4



Warranty

Technical Dimensions: (in mm)



Model	A	B	C	D	E	F	G
Adonia Digital 15 L	390	390	358	67.6	100	100	G1/2"
Adonia Digital 25 L	453	453	394	67.6	100	100	G1/2"



Adonia

Capacity : 15 L & 25 L
Color : White



Features:



Temp. sensitive LED indicators



Shock resistant plug



Feroglas Technology



PUF insulation



Incoloy glass coated heating element



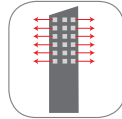
Anode rod



Adjustable knob for temp setting



0.8 MPa high working pressure



Whirflow technology



Multi functional safety valve

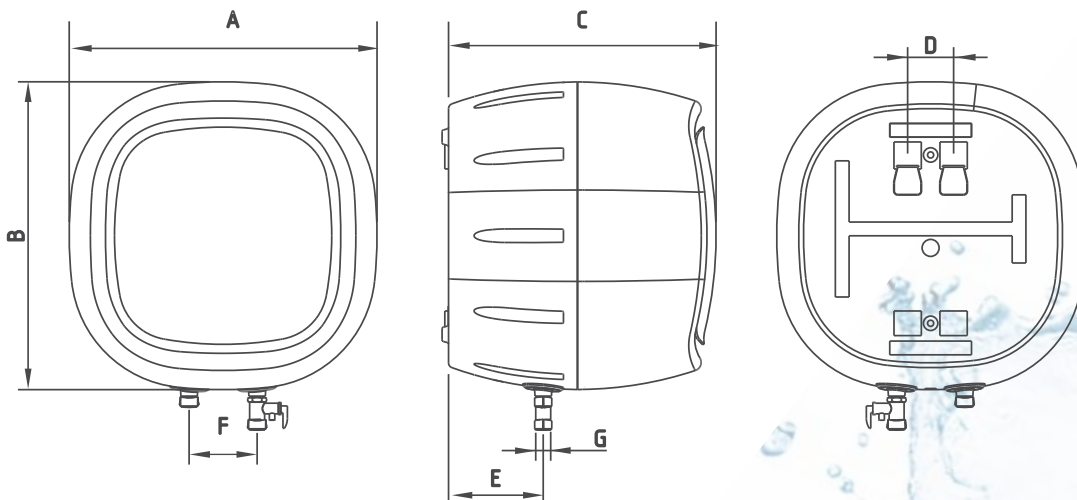


IPX-4



Warranty

Technical Dimensions: (in mm)



Model	A	B	C	D	E	F	G
Adonia 15 L	390	390	358	67.6	100	100	G1/2"
Adonia 25 L	453	453	394	67.6	100	100	G1/2"



Quatro Digital

Capacity : 15 L & 25 L
Color : White Grey



Features:



Digital temperature setting



Remote control



Vitreous enamel coated tank



PUF insulation



ELCB



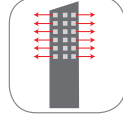
Incoloy glass coated heating element



Anode rod



0.8 MPa high working pressure



Whirlflow technology



Multi functional safety valve

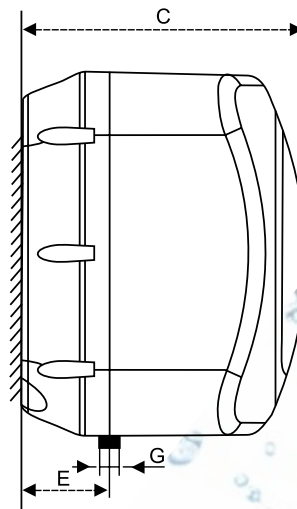
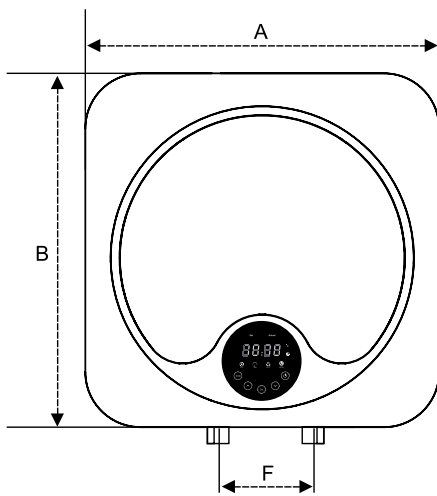


IPX-4



Warranty

Technical Dimensions: (in mm)



Model	A	B	C	D	E	F	G
Quatro Digital-15 L	395	395	335	62	101	100	G1/2"
Quatro Digital-25 L	445	445	379	62	133	100	G1/2"














Quatro

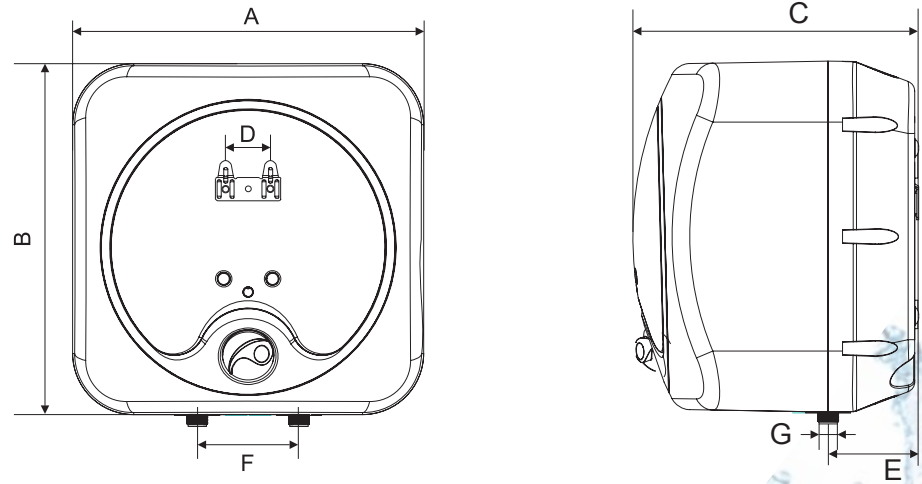
Capacity : 6 L, 10 L, 15 L & 25 L
 Colors : White Grey, Ivory Brown



Features:

- 
Viterous enamel coated tank
- 
Incoloy glass coated heating element
- 
Anode rod
- 
ELCB
- 
PUF insulation
- 
Adjustable knob for temp setting
- 
0.8 MPa high working pressure
- 
Whirrlflow technology
- 
Multi functional safety valve
- 
IPX-4
- 
Warranty

Technical Dimensions: (in mm)



Model	A	B	C	D	E	F	G
Quatro-6 L	305	305	288	62	93	100	G1/2"
Quatro-10 L	345	345	277	62	89	100	G1/2"
Quatro-15 L	385	385	311	62	101	100	G1/2"
Quatro-25 L	435	435	368	62	133	100	G1/2"



Puro Turbo

Capacity : 15 L & 25 L
Colors : White, Ivory



Features:



Multiple heating options



ELCB



Feroglas Technology



PUF insulation



Incoloy glass coated heating element



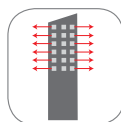
Anode rod



Adjustable knob for temp setting



0.8 MPa high working pressure



Whirlflow technology



Multi functional safety valve

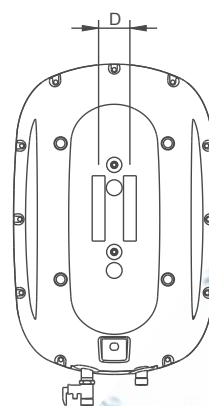
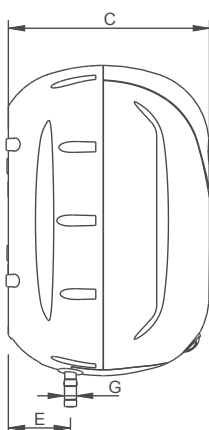
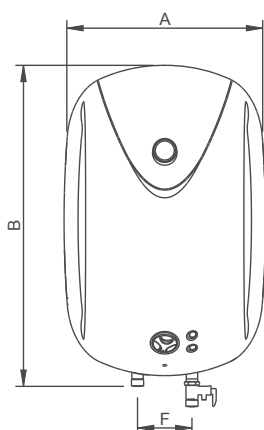


IPX-4



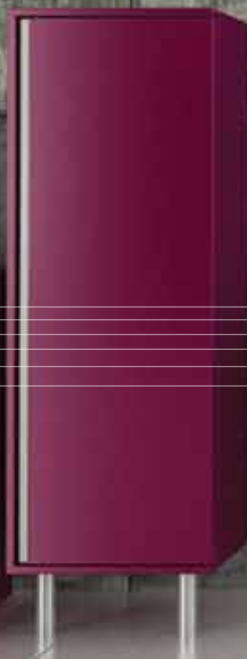
Warranty

Technical Dimensions: (in mm)



Model	A	B	C	D	E	F	G
Puro Turbo 15 L	320	510	319	62	95	100	G1/2"
Puro Turbo 25 L	385	580	385	62	108	100	G1/2"

HAVELLS



Puro Plus

Capacity : 10 L, 15 L & 25 L
 Colors : White, Ivory



Features:



ELCB



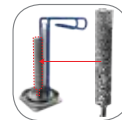
Feroglas Technology



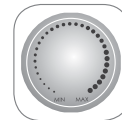
PUF insulation



Incoloy glass coated heating element



Anode rod



Adjustable knob for temp setting



0.8 MPa high working pressure



Whirflow technology



Multi functional safety valve

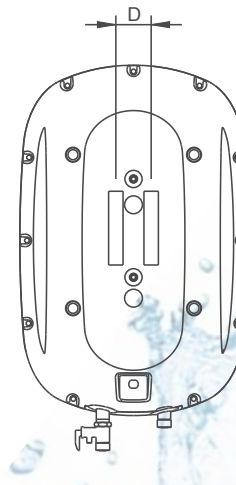
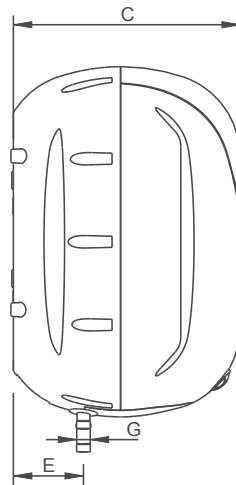
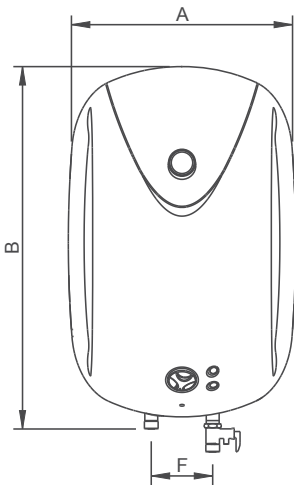


IPX-4



Warranty

Technical Dimensions: (in mm)



Model	A	B	C	D	E	F	G
Puro Plus 10 L	319	486	305	67	86	110	G1/2"
Puro Plus 15 L	320	510	319	62	95	100	G1/2"
Puro Plus 25 L	385	580	385	62	108	100	G1/2"

HAVELLS

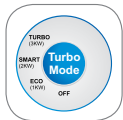


Monza Turbo

Capacity : 35 L & 50 L
Color : White



Features:



Multiple heating options



Feroglas Technology



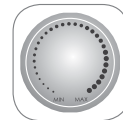
PUF insulation



Incoloy glass coated heating element



Anode rod



Adjustable knob for temp setting



0.8 MPa high working pressure



Whirflow technology



Multi functional safety valve

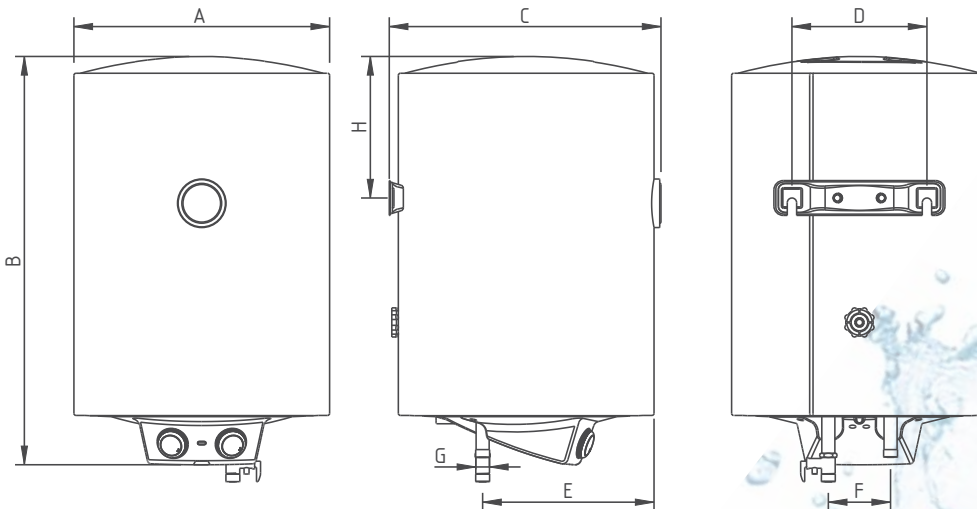


IPX-4



Warranty

Technical Dimensions: (in mm)



Model	A	B	C	D	E	F	G	H
Monza Turbo 35 L	410	657	437	217	155	100	G1/2"	232
Monza Turbo 50 L	410	825	437	217	155	100	G1/2"	232



Senzo

Capacity : 10 L, 15 L & 25 L
 Color : White - Grey



Features:



Digital Display



Feather touch panel



Feroglas Technology



Incoloy glass coated heating element



Anode rod



PUF insulation



0.8 MPa high working pressure



Whirlflow technology



Multi functional safety valve

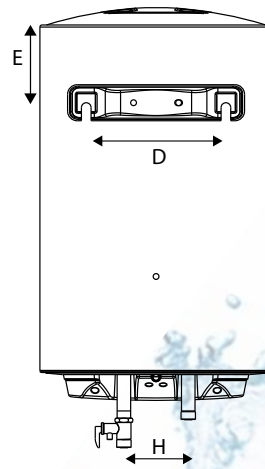
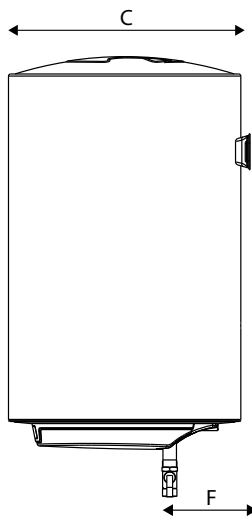
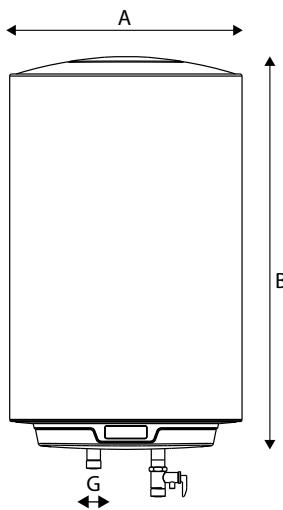


IPX-4



Warranty

Technical Dimensions: (in mm)



Model	A	B	C	D	E	F	G	H
Senzo 10 L	311	440	324	217	170	101	G ½"	100
Senzo 15 L	311	540	324	217	186	101	G ½"	100
Senzo 25 L	361	620	374	217	182	125	G ½"	100

*Conditions Apply

HAVELLS



Monza EC

Capacity : 10 L to 100 L
 Colors : White, Ivory*



Features:



Ferrogas Technology



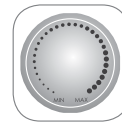
Incoloy glass coated heating element



Anode rod



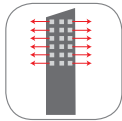
PUF insulation



Adjustable knob for temp setting



0.8 MPa high working pressure



Whirflow technology



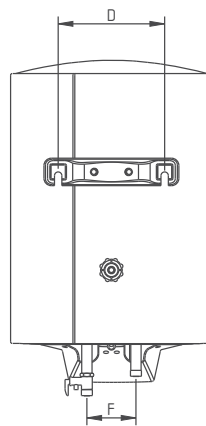
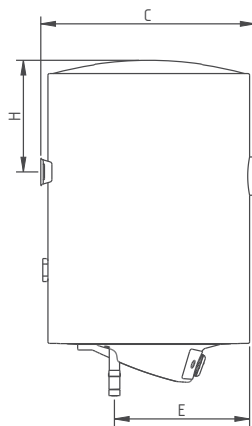
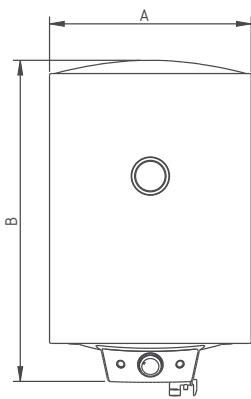
Multi functional safety valve



IPX-4



Warranty



Technical Dimensions: (in mm)

Model	A	B	C	D	E	F	G	H
Monza EC 10 L	310	468	334	217	101	100	G1/2"	170
Monza EC 15 L	310	568	334	217	101	100	G1/2"	186
Monza EC 25 L	360	635	385	217	125	100	G1/2"	182
Monza EC 35 L	410	657	437	217	155	100	G1/2"	232
Monza EC 50 L	410	825	437	217	155	100	G1/2"	232
Monza EC 100 L	460	1115	485	217	177	100	G1/2"	237

*Conditions Apply



Fino H

Capacity : 15 L & 25 L
Color : White Grey



Features:



Push button for temp. setting



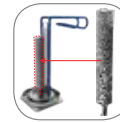
Vitreous enamel coated tank



PUF insulation



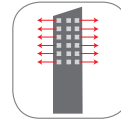
Incoloy glass coated heating element



Anode rod



0.8 MPa high working pressure



Whirflow technology



Multi functional safety valve

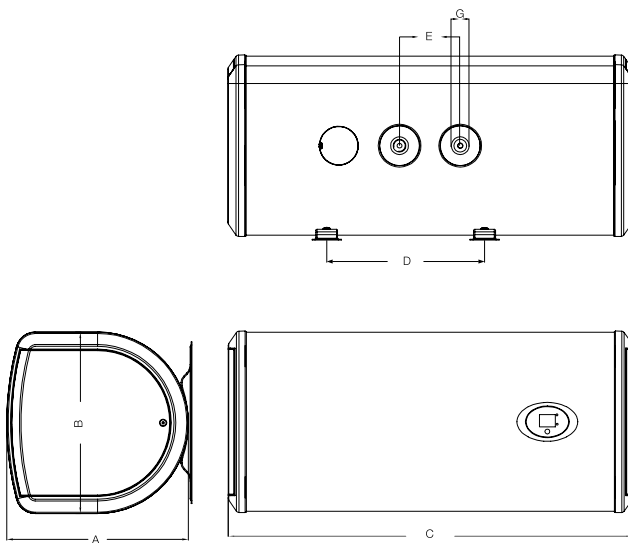


IPX-4



Warranty

Technical Dimensions: (in mm)



Model	A	B	C	D	E	G
Fino 15 H	300	300	503	135	100	G1/2"
Fino 25 H	300	300	710	260	100	G1/2"



Monza EC H

Capacity : 35 L & 50 L
Color : White



Ferroglass Technology



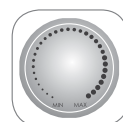
Incoloy glass coated heating element



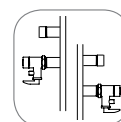
Anode rod



PUF insulation



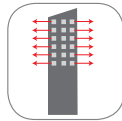
Adjustable knob for temp setting



Left & right side configuration



0.8 MPa high working pressure



Whirlflow technology



Multi functional safety valve

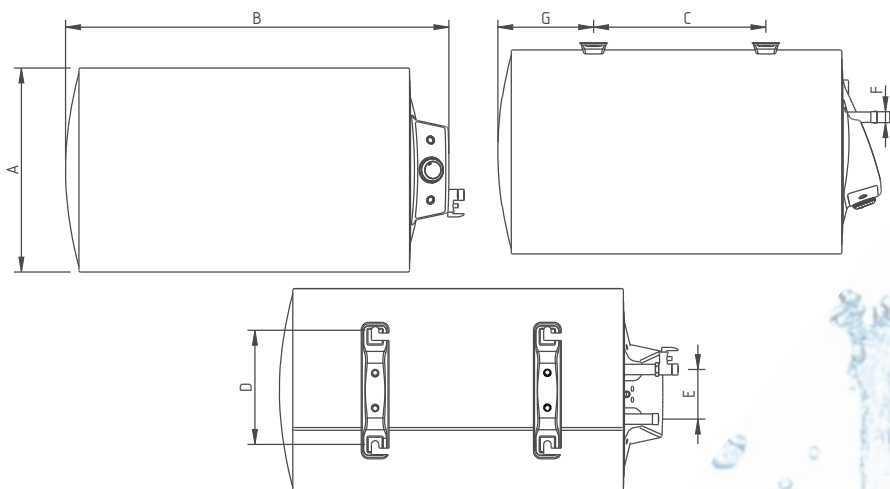


IPX-4



Warranty

Features:



Technical Dimensions: (in mm)

Model	A	B	C	D	E	F	G	H	I
MONZA Ec-H 35 L	427	616	411	217	100	G ½"	187	190	229
MONZA Ec-H 50 L	427	796	411	217	100	G ½"	187	360	224

HAVELLS



Monza Slim

Capacity : 15 L & 25 L
 Color : White Grey
 Mounting : Floor & wall mounting



Features:



Feroglas Technology



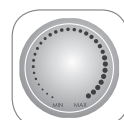
Incoloy glass coated heating element



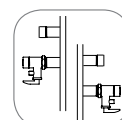
Anode rod



PUF insulation



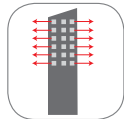
Adjustable knob for temp setting



Left & right side configuration



0.8 MPa high working pressure



Whirflow technology



Multi functional safety valve

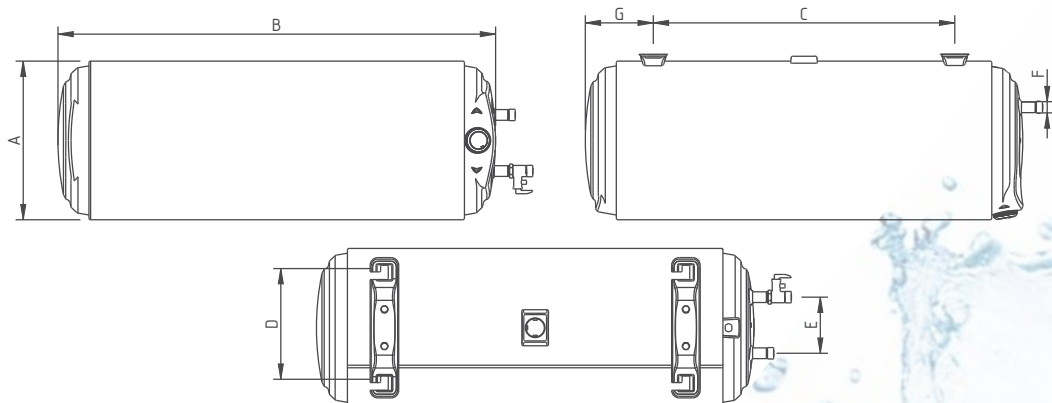


IPX-4



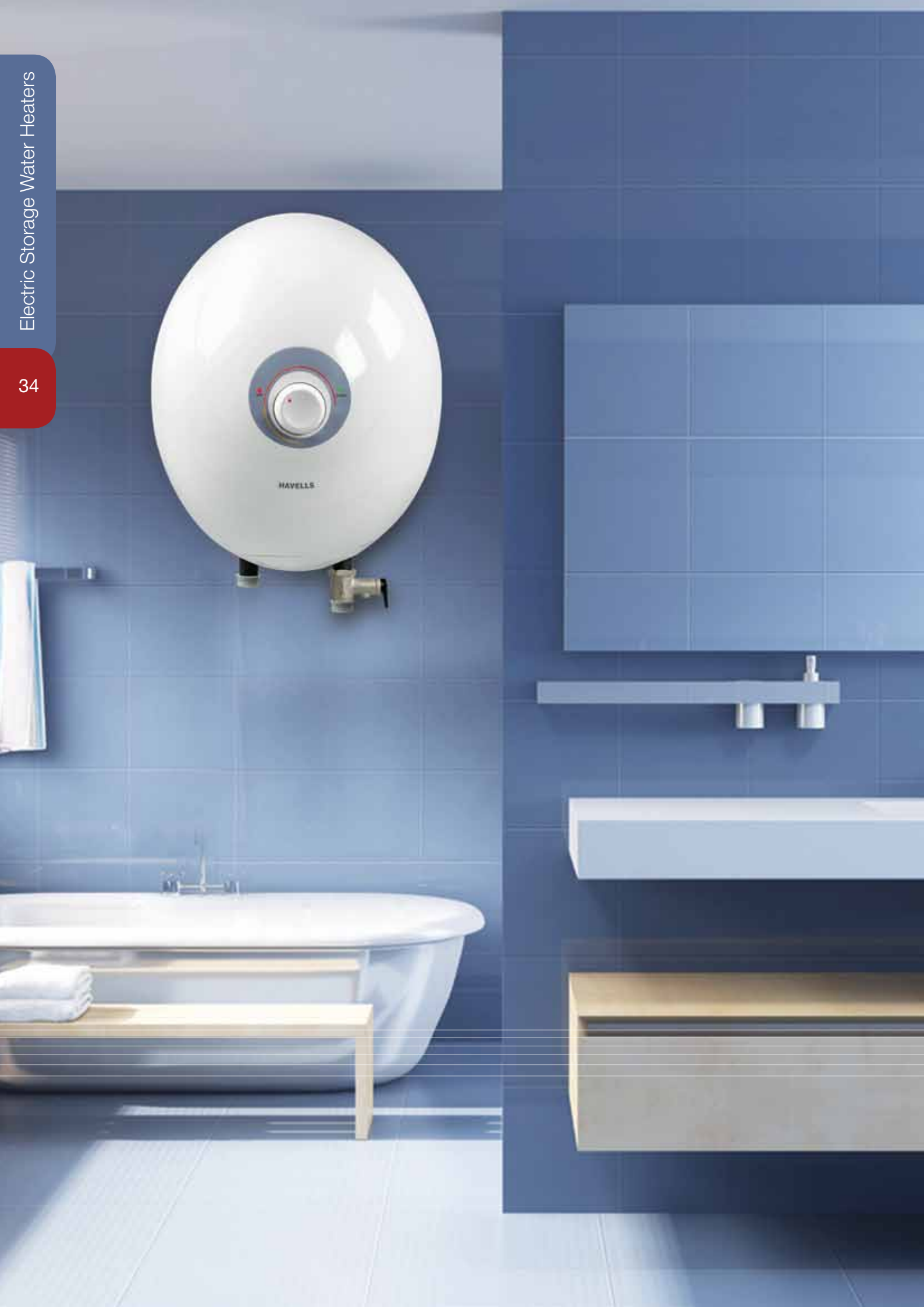
Warranty

Technical Dimensions: (in mm)



Model	A	B	C	D	E	F	G
Monza Slim 15 L	311	602	320	217	110	G ½"	130
Monza Slim 25 L	311	875	591	217	110	G ½"	130

HAVELLS



Opal

Capacity : 6 L & 10 L
 Color : Pearl White
 6 L- 3 Star, 10 L- 5 Star



Features:



Vitreous enamel coated tank



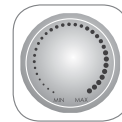
Incoloy glass coated heating element



Anode rod



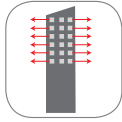
PUF insulation



Adjustable knob for temp setting



0.7 MPa high working pressure



Whirlflow technology



Multi functional safety valve

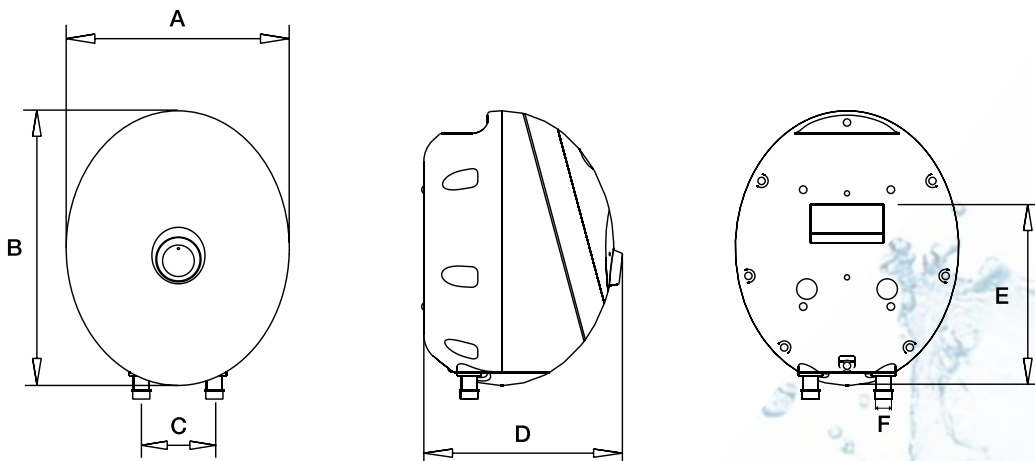


IPX-4



Warranty

Technical Dimensions: (in mm)



Model	A	B	C	D	E	F
Opal 6 L	306	376	100	275	248	G 1/2"
Opal 10 L	346	438	100	310	382	G 1/2"



Instanio

Capacity : 1 L, 3 L & 6 L
 Colors : White Mustard, White Blue
 5 Star* rating available in 6 L only



Features:



LED Indicators



Rust & Shock Proof ABS Outer Body



Stainless steel inner tank of 304 grade



Fire retardant power cord



PUF insulation



0.6 MPa High working pressure

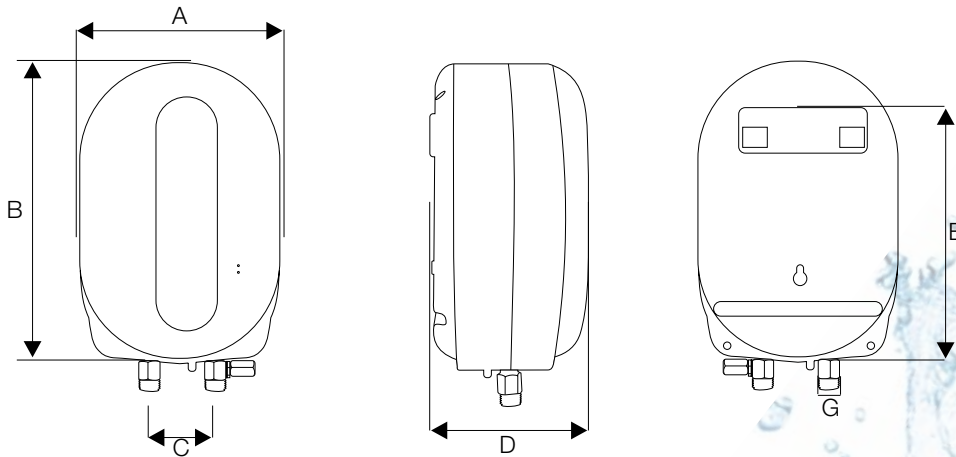


ISI Marked



Warranty

Technical Dimensions: (in mm)



Model	A	B	C	D	E	G
Instanio 1 L	205	294	66.5	184	319	G1/2"
Instanio 3 L	225	373	66.5	190	345	G1/2"
Instanio 6 L	260	405	70	254	436	G1/2"



Opal EC

Capacity : 1 L & 3 L
Color : White



Features:



Rust & Shock Proof ABS Outer Body



0.65 MPa High working pressure



Adjustable knob for temp setting



Fire retardant power cord



Twin Indicator Lamp



Stainless steel inner tank of 304 grade

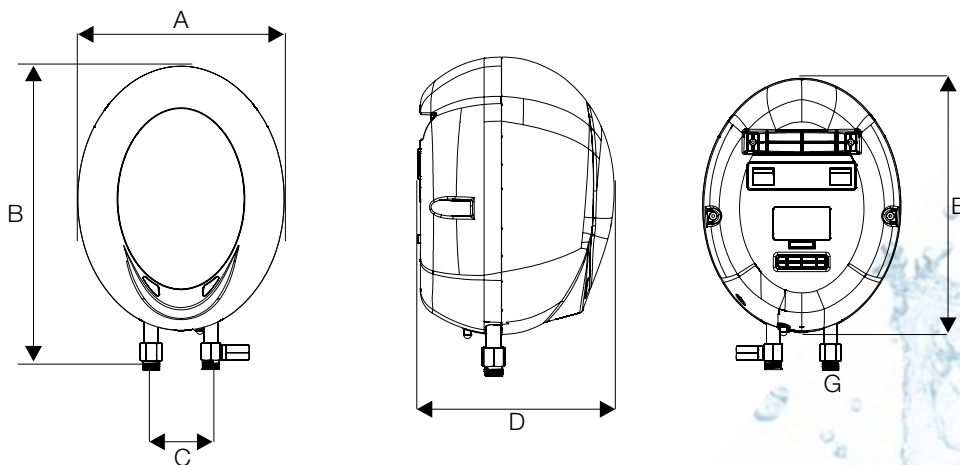


ISI Marked



Warranty

Technical Dimensions: (in mm)



Model	A	B	C	D	E	G
Opal EC 1 L	230	326	66	210	295	G1/2"
Opal EC 3 L	250	320	60	235	335	G1/2"

ISI available only in 1 L model



Neo+

Capacity : 1L & 3 L
 Colors : White Blue, Ivory Brown



Features:



Rust & Shock Proof ABS Outer Body



0.6 MPa High working pressure



Stainless steel inner tank of 304 grade



Fire retardant power cord



Twin Indicator Lamp

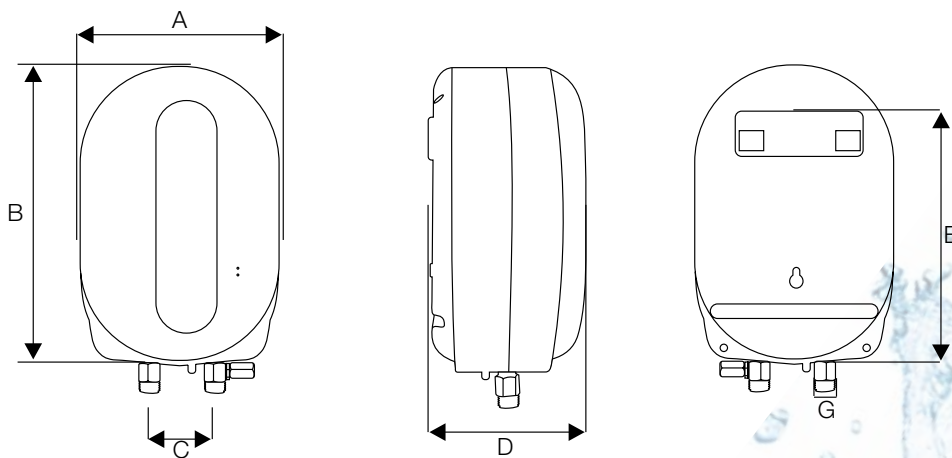


ISI Marked






Warranty

Technical Dimensions: (in mm)




Model	A	B	C	D	E	G
Neo+ 1 L	198	292	66	150	205	G1/2"
Neo+ 3 L	194	360	66	179	250	G1/2"

TECHNICAL INFORMATION

S.No.	PARAMETER	Puro Plus 10 L	Puro Plus 15 L	Puro Plus 25 L	Monza Turbo 35 L	Monza Turbo 50 L	Senzo 10 L	Senzo 15 L	Senzo 25 L
									
1	Rated Capacity in Ltr.	10	15	25	35	50	10	15	25
2	Mounting	Vertical	Vertical	Vertical	Vertical	Vertical	Vertical	Vertical	Vertical
3	Rated Voltage in Volts & frequency in Hz.	230V, 1Ph 50 Hz A.C.							
4	Rated Power Input in Watts	2000	2000	2000	1000/2000/3000	1000/2000/3000	2000	2000	2000
5	Rated Input Current in Amps	8.7	8.7	8.7	4.4/8.7/13	4.4/8.7/13	8.7	8.7	8.7
6	Mean Hot Water Output Temp. (°C)	75	75	75	75	75	75	75	75
7	Rated Pressure in MPa	0.8	0.8	0.8	0.8	0.8	0.8	0.8	0.8
8	Standing Loss in KWH/24 hrs/45° C	0.44	0.46	0.56	0.64	0.74	0.400	0.460	0.560
10	Reheating Time in Mins. to raise 50° C	15	20	35	35	55	15	20	35
11	Mixing Factor Maximum (%)	30%	30%	30%	30%	30%	30%	30%	30%
12	Weight of water heater in Kg.								
	Empty	5	9	12	17	21	8.7	10.2	13.2
	Water Filled	15	24.5	39	53	74	19	25.7	38.5
13	Water Proof Degree	IP X 4	IP X 4	IP X 4	IP X 4	IP X 4	IP X 4	IP X 4	IP X 4
14	Class of Appliance	Class I	Class I	Class I	Class I	Class I	Class I	Class I	Class I




TECHNICAL INFORMATION

S.No.	PARAMETER	Monza Ec 10 L	Monza Ec 15 L	Monza Ec 25 L	Monza Ec 35 L	Monza Ec 50 L
						
1	Rated Capacity in Ltr.	10	15	25	35	50
2	Mounting	Vertical	Vertical	Vertical	Vertical	Vertical
3	Rated Voltage in Volts & frequency in Hz.	230V, 1 Ph 50 Hz A.C.				
4	Rated Power Input in Watts	2000	2000	2000	2000	2000
5	Rated Input Current in Amps	8.7	8.7	8.7	8.7	8.7
6	Mean Hot Water Output Temp. (°C)	75	75	75	75	75
7	Rated Pressure in MPa	0.8	0.8	0.8	0.8	0.8
8	Standing Loss in KWH/24 hrs/45° C	0.4	0.460	0.56	0.64	0.74
10	Reheating Time in Mins. to raise 50° C	15	20	35	70	90
11	Mixing Factor Maximum (%)	30%	30%	30%	30%	30%
12	Weight of water heater in Kg.					
	Empty	8.7	10.2	13.2	16.2	20.5
	Water Filled	19	25.7	38.5	52.7	73
13	Water Proof Degree	IP X 4	IP X 4	IP X 4	IP X 4	IP X 4
14	Class of Appliance	Class I	Class I	Class I	Class I	Class I

TECHNICAL INFORMATION

S.No.	PARAMETER	Monza Ec 100 L	Fino 15 H	Fino 25H	Monza Ec -H 35 L	Monza Ec -H 50 L
						
1	Rated Capacity in Ltr.	100	15	25	35	50
2	Mounting	Vertical	Horizontal	Horizontal	Horizontal	Horizontal
3	Rated Voltage in Volts & frequency in Hz.	230V, 1Ph 50 Hz A.C.				
4	Rated Power Input in Watts	3000	2000	2000	2000	2000
5	Rated Input Current in Amps	8.7	8.7	8.7	8.7	8.7
6	Mean Hot Water Output Temp. (°C)	75	70	70	75	75
7	Rated Pressure in MPa	0.8	0.8	0.8	0.8	0.8
8	Standing Loss in KWH/24 hrs/45° C	0.96			0.706	0.816
10	Reheating Time in Mins. to raise 50° C	173	28	35	70	90
11	Mixing Factor Maximum (%)	30%	30%	30%	30%	30%
12	Weight of water heater in Kg.					
	Empty	31.2	8.2	12.7	16.3	20.4
	Water Filled	135	24.7	37.7	52.8	72.9
13	Water Proof Degree	IP X 4	IP X 4	IP X 4	IP X 4	IP X 4
14	Class of Appliance	Class I	Class I	Class I	Class I	Class I

TECHNICAL INFORMATION

S.No.	PARAMETER	Monza Slim 15 L	Monza Slim 25 L	Opal 6	Opal 10	Instantio 1 L
						
1	Rated Capacity in Ltr.	15	25	6	10	1
2	Mounting	Horizontal / Floor	Horizontal / Floor	vertical	vertical	Vertical
3	Rated Voltage in Volts & frequency in Hz.	230V, 1Ph 50 Hz A.C.				
4	Rated Power Input in Watts	2000	2000	2500	2500	3000
5	Rated Input Current in Amps	8.7	8.7	10.9	10.9	16
6	Mean Hot Water Output Temp. (°C)	70	70	70	70	55
7	Rated Pressure in MPa	0.8	0.8	0.7	0.7	0.65
8	Standing Loss in KWH/24 hrs/45° C	0.507	0.618	0.38	0.4	
10	Reheating Time in Mins. to raise 50° C	20	35	10	15	
11	Mixing Factor Maximum (%)	30%	30%	30%	30%	NA
12	Weight of water heater in Kg.					
	Empty	11	15	5.6	7.9	2.25
	Water Filled	26.6	41	11.6	18.2	3.35
13	Water Proof Degree	IP X 4	IP X 4	IP X 4	IP X 4	
14	Class of Appliance	Class I	Class I	Class I	Class I	Class 1



HAVELLS

Havells India Ltd.

Corp Office : QRG Towers, 2D, Sector-126,

Expressway, Noida-201304 (U.P) Ph. +91-120-4771000

Email : marketing@havells.com • Website : www.havells.com • Buy online : shop.havells.com

Consumer Care : 1800 11 0303, 1800 103 1313 (All Connections) 011-4166 0303 (Landline)